

Lec

Lec TF55153W/S

User Manual

LEC Customer Care

please keep this handbook in a safe place.

Please fill in the model number and serial number in the spaces provided below as they will assist us should you need to call.

0844 815 3737

When you dial this number you will hear a recorded message and be given a number of options. This indicates that your call has been accepted and is being held in a queue. Calls are answered in strict rotation as our Customer Care Representatives become available.

Enter appliance numbers here for future reference:

Model No	<input type="text"/>	<input type="text"/>	<input type="text"/>	<input type="text"/>	<input type="text"/>	<input type="text"/>	<input type="text"/>	<input type="text"/>	<input type="text"/>
Serial No	<input type="text"/>	<input type="text"/>	<input type="text"/>	<input type="text"/>	<input type="text"/>	<input type="text"/>	<input type="text"/>	<input type="text"/>	<input type="text"/>

These numbers can be found on your appliances.
Outside the UK and Northern Ireland, refer to your local supplier.

Lec

Stoney Lane, Prescot, Merseyside, L35 2XW

Congratulations on your choice of a quality Appliance which has been designed to give you service for many years.

IMPORTANT!

DO NOT connect your appliance to the electricity supply until all packaging has been removed.

- Leave to stand for at least 12 hours before switching on to allow compressor oil to settle if transported horizontally.
- This fridge/freezer must only be used for its intended purpose i.e. the storing of edible foodstuff.
- To obtain the best performance and trouble free operation from your appliance it is very important to carefully read these instructions.
- On delivery, check to make sure that the product is not damaged and that all the parts and accessories are in perfect condition.
- Ensure that the plug remains readily accessible.
- We do not recommend the use of extension leads and multi-way adapters.
- Failure to observe these instructions may invalidate your right to free service during the guarantee period.

– **WARNING:** Keep ventilation openings clear of obstruction.

– **WARNING:** Do not use mechanical devices or other means to accelerate the defrosting process, other than those recommended by the manufacturer.

– **WARNING:** Do not damage the refrigerant circuit.

– **WARNING:** Do not use electrical appliances inside the food storage compartments of the appliance, unless they are of the type recommended by the manufacturer.

- We suggest you keep these instructions in a safe place for easy reference.

PERFORMANCE

Energy efficiency class	A +
Energy consumption - Kwh/year	237
Net storage - vol fresh food ltrs	136
Net storage - vol frozen food ltrs	69
Total net vol - ltrs	205
Frozen food compartment rating	4 Star
Conservation time from failure	600 min
Freezing capacity fresh food – kg (lb) /24 hrs.	3.5
Climate class	N /ST
Operating noise level dB(A)	42

Frost Free Combi Fridge / Freezer TF55153W/S

CONTENTS

- 1. SAFETY FIRST / ELECTRICAL REQUIREMENTS**
- 2. TRANSPORTATION INSTRUCTIONS**
- 3. INSTALLATION INSTRUCTIONS**
- 4. GETTING TO KNOW YOUR COMBI FRIDGE / FREEZER**
- 5. REVERSING THE DOOR**
- 6. SUGGESTED ARRANGEMENT OF FOOD IN THE FRIDGE/FREEZER**
- 7. TEMPERATURE ADJUSTMENT**
- 8. BEFORE OPERATING**
- 9. STORING FROZEN FOOD**
- 10. FREEZING FRESH FOOD**
- 11. DEFROSTING**
- 12. REPLACING THE INTERIOR LIGHT BULB**
- 13. CLEANING AND CARE**
- 14. DO'S AND DON'TS**
- 15. ENERGY SAVING TIPS**
- 16. PROBLEM SOLVING**

ELECTRICAL REQUIREMENTS

Any electrical work required to install this appliance should be carried out by a qualified electrician or competent person. This appliance must be earthed. The manufacturer declines any liability should these safety measures not be observed.

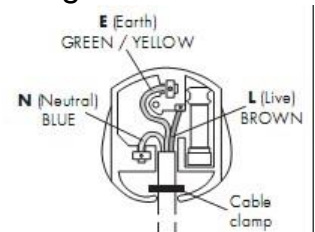
Before switching on, make sure the electricity supply voltage is the same as that indicated on the appliance data badge.


The appliance is supplied with a 13 amp plug fitted. In the event of having to change the fuse in the plug supplied, a 13 amp ASTA approved (BS 1362) fuse must be used. Should the plug need to be replaced for any reason. The wires in the mains lead are coloured in accordance with the following code:

Green and Yellow: Earth

Blue: Neutral

Brown: Live



The wire coloured green and yellow must be connected to the terminal marked with the letter “E” or by the earth symbol  or coloured green and yellow. The wire coloured blue must be connected to the terminal “N”. The wire coloured brown must be connected to the terminal marked “L”.

Upon completion there must be no cut, or stray strands of wire present and the cord clamp must be secure over the outer sheath.

WARNING! THIS APPLIANCE MUST BE EARTHED

TRANSPORTATION INSTRUCTIONS

1. The appliance should be transported only in an upright position. The packing as supplied must be intact during transportation.
 2. If during the course of transport the appliance has to be transported horizontally, it must only be laid on its right hand side when standing in the front of the appliance. After bringing it to upright position, it must not be operated for at least 12 hours to allow the system to settle.
 3. Failure to comply with the above instructions could result in damage to the appliance, for which the manufacturer will not be held liable.
 4. The appliance must be protected against rain, moisture and other atmospheric influences.
 5. When positioning your appliance take care not to damage your flooring, pipes, wall coverings etc. Do not move the appliance by pulling by the door or handle.
 6. Empty any water in the drain tray before moving. See section „Defrosting” and „Care & cleaning” for further information.
 7. Make sure that the defrost water pipe at the back of the product is fixed to the plastic evaporating pan on the top of the compressor, to avoid defrost water spillage on the floor.
- Important!**

- Care must be taken while cleaning/carrying the appliance not to touch the bottom of the condenser metal wires at the back of the appliance, as this could cause injury to fingers and hands. .
- Make sure that the mains cable is not caught under the appliance during and after moving, as this could damage the cable.

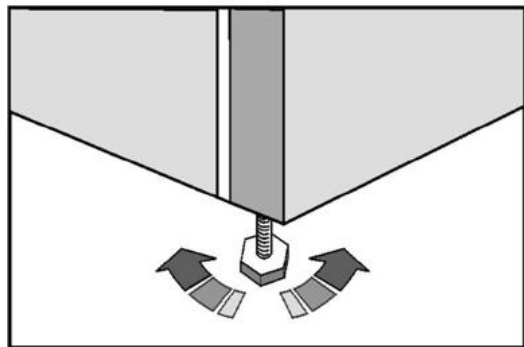
INSTALLATION INSTRUCTIONS

1. Do not place the appliance near cookers, radiators or in direct sunlight as this will cause your appliance to work harder. If installed next to a source of heat or freezer, maintain the following minimum side clearances:

From Cookers 2" (50 mm)

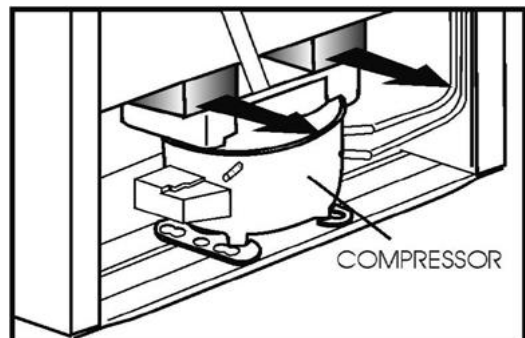
From Radiators 12" (300 mm)

From Refrigerators or Larder Fridge 1" (25 mm)



4. Make sure that sufficient room is provided around the appliance to ensure free air circulation. Keep the space from wall to the condenser at least 10cm

5. The fridge/freezer should be located on a smooth surface. The two front feet can be adjusted as required. To ensure that, your appliance is standing upright adjust the two front feet by turning clockwise or anti-clockwise, until the product is in firm contact with the floor. Correct adjustment of feet avoids excessive vibration and noise.

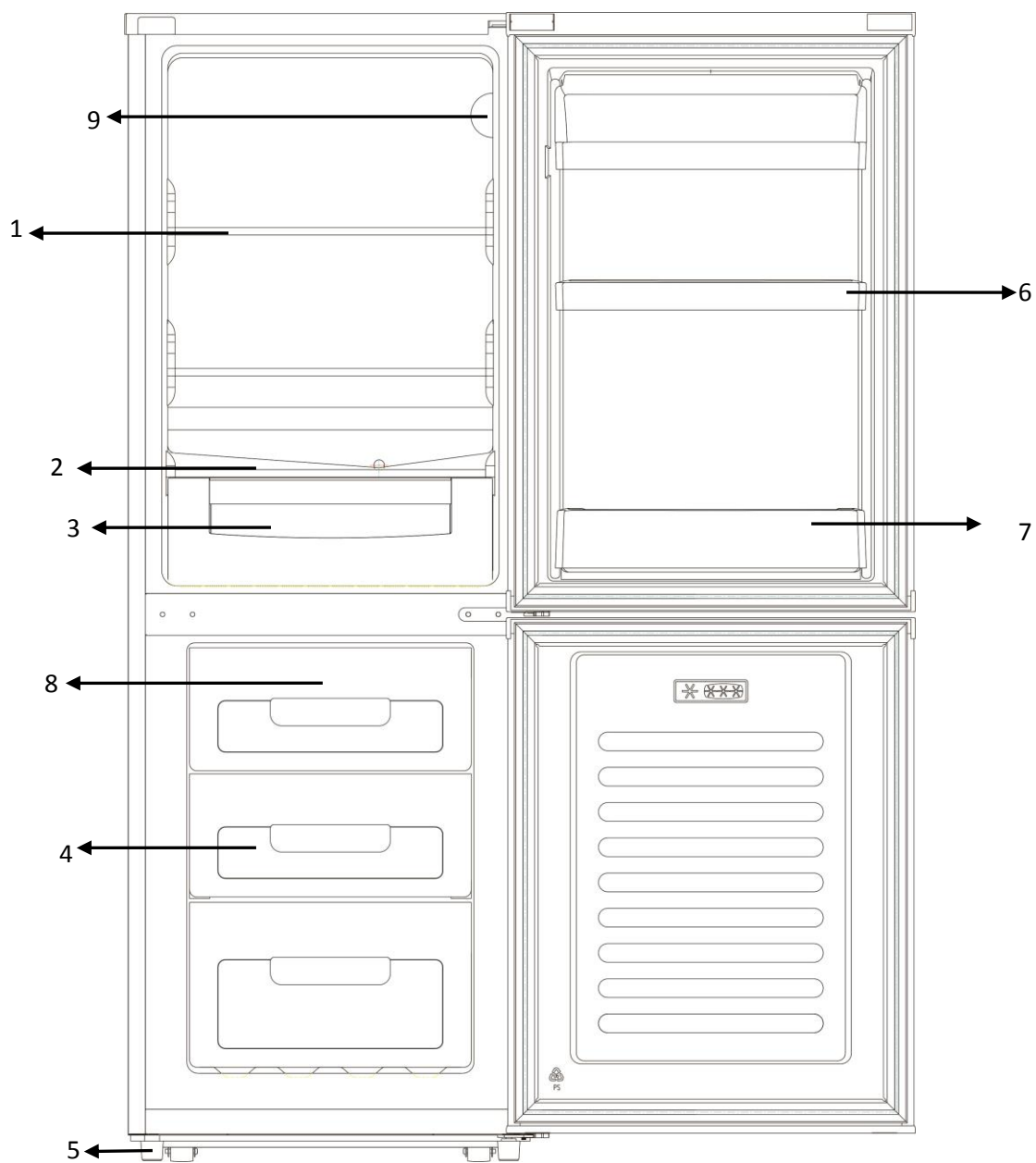


6. Refer to cleaning and care section to prepare your appliance for use.
WARNING!

WARNING!

Do not connect your appliance to the electricity supply until all the packaging materials have been removed including polystyrene block(s) inserted between the compressor motor and the cabinet (see diagrams). Do not remove the plastic drain tray fitted above the compressor motor on models with auto - defrost fridge.

GETTING TO KNOW YOUR COMBI FROST FREE FRIDGE / FREEZER



- 1- Cabinet shelves
- 2- Salad drawer cover
- 3- Salad drawer
- 4- Frozen foods storage drawers
- 5- Adjustable feet
- 6- Door shelves
- 7- Bottle shelf
- 8- Freezer fan
- 9- Thermostat knob and interior light

REVERSING THE DOORS

(You may need somebody to help you.)

- 1- Switch off the appliance at the socket outlet and pull out the mains plug.
- 2- Remove all loose items and fittings and food, if any, from inside the appliance and door racks.
- 3- Unscrew the bolts and remove the middle hinge while holding doors. (1)
- 4- Remove the fridge door from the top hinge. (2)
- 5- Remove the freezer door. (3)
- 6- Remove the plastic covers on the front top trim. (4)

- 7- Unscrew the bolts of the top hinge and remove top hinge. (5)
- 8- Reposition plugs on the opposite side. (6)
- 9- Carefully tilt the appliance on its back. (7) (You may need somebody to help you.)

- 10- Remove the leveling screw. (8)
- 11- Take off lower hinge. (9)
- 12- Remove the plastic cover and fit the stopper which is in the plastic bag to the other side. (10)
- 13- Unscrew and remove the middle hinge bushing from fridge door. (11)
- 14- Screw and fix the new middle hinge bushing which is supplied in plastic bag to the other side. (12)
- 15- Reposition the hinge bushing and the stopper on the freezer door. (13)
- 16- Unscrew and reposition the bottom hinge bushing. (14)

- 17- Reassemble the lower hinge on the opposite side (15)

- 18- Reinsert the leveling screw. (16)

- 19- Rotate the top hinge 180°. Unscrew the hinge pin and re-tighten it to the opposite side.(17)

- 20- Fit the top hinge and tighten the bolts. (18)

- 21- Fit the plastic cover on the front top trim. (19)

- 22- Locate the freezer door to the bottom hinge and attach to the cabinet. (20)

- 23- Locate the middle hinge on the freezer door (21) and put the fridge door between the top and middle hinge carefully. (22)

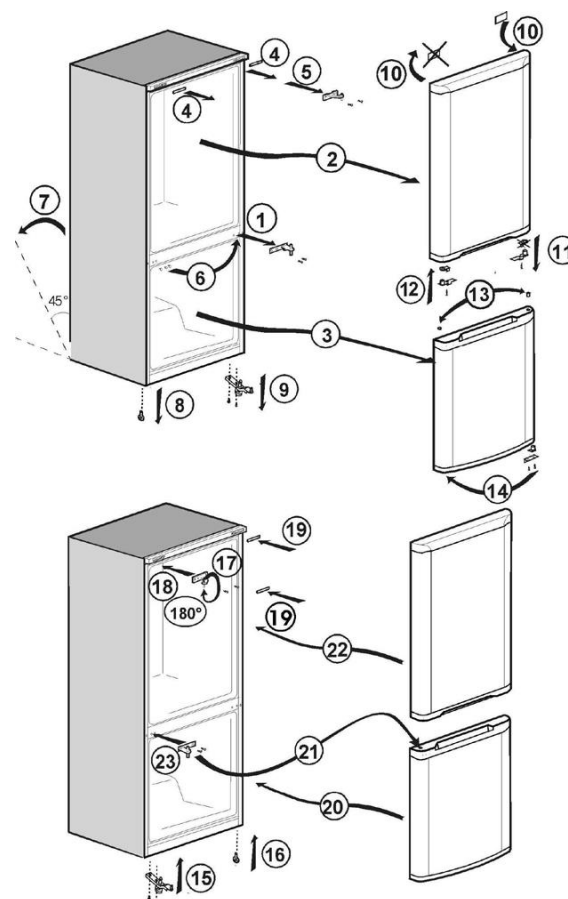
- 24- Fit the middle hinge. Adjust the doors and tighten the bolts. (23)

- 25- Carefully stand your appliance (you may need somebody to help you) adjust the front feet.

- 26- Put back all, loose items and fittings.

- 27- Wait for at least 4 hours to allow the system to settle before switching on.

- 28- Once the correct storage temperatures have been reached in the appliance, put back all the food.



SUGGESTED ARRANGEMENT OF FOOD IN THE FRIDGE/FREEZER

Arrangement Examples (See diagram)

1. Baked, chilled cooked food, dairy products, cans.
2. Meat,sausages,cold cuts
3. Fruit, vegetables, salads. Strawberry, (sweet) cherry, peach, grapes, plums
4. Making, storing ice cubes.
5. Frozen food.
6. Butter, cheese, eggs, small bottles, cans, tubes.
7. Butter, cheese, small bottles, cans, tubes.
8. Tall, large bottles, beverages.

The following guidelines and recommendations are suggested to obtain the best results and storage hygiene.

1. Salad drawer– it is a special drawer that will keep perishable foods in fresh condition. For example: strawberry, cherry, peach, grapes, plums, etc.
2. The fridge compartment is for the short term storage of fresh food and drinks.
3. The freezer compartment is suitable for the freezing and storage of pre frozen food. The recommendation for storage as stated on the food packaging should be observed at all times.
4. Cooked dishes must be stored in airtight covered containers.
5. Fresh wrapped produce can be placed on the shelf. Fresh fruit and vegetables should be cleaned and stored in the crisper bins.
6. Bottles can be placed in the door section.
7. To store raw meat, wrap in polythene bags and place on the lowest shelf. Do not allow to come into contact with cooked food to avoid contamination. For safety, only store raw meat for two to three days.
8. Keep the food packed wrapped or covered. Allow hot food and beverages to cool before placing them in the fridge. Do not store explosive substances. High proof alcohol must be stored upright in sealed containers. Left over canned food should not be stored in the can.
9. Fizzy drinks should not be frozen and products such as flavored water ices should not be consumed too cold.
10. Some fruit and vegetables suffer damage if kept at temperatures near 0°C. Therefore wrap pineapples, melons, cucumbers, tomatoes and similar produce in polythene bags.
11. Place chilled cooked food and similar food near the rear of the fridge inner liner where the cold wall is located.
12. Shelves, racks, crisper bins, drawers, flaps, and bottle grippers are all removable.
13. Do not leave frozen food at room temperature to thaw; the best way to defrost food is to put it in the fridge to thaw slowly. Make sure you avoid defrosting food or food juices drip onto other food.

14. For hygiene reasons, always wrap food using a suitable packaging material before storing in your appliance to avoid contact with the appliance surface.

TEMPERATURE ADJUSTMENT

Operating temperatures are controlled by the thermostat knob and may be set at any position between 1 and 7 (the coldest position). The average temperature inside the fridge should be around +5°C (+41°F). Therefore adjust the thermostat to obtain the desired temperature. Some sections of the fridge may be cooler or warmer (such as salad crisper and top part of the cabinet) which is quite normal. We recommend that you check the temperature periodically with a thermometer to ensure that the cabinet is kept to this temperature. Frequent door openings cause internal temperatures to rise, so it is advisable to close the door as soon as possible after use.

BEFORE OPERATING

Final Check

Before you start using the appliance check that:

1. The feet have been adjusted for perfect leveling.
2. The interior is dry and air can circulate freely at the rear.
3. The interior is clean as recommended under "Cleaning and care."
4. The plug has been inserted into the wall socket and the electricity is switched on. When the door is open the interior light will come on.

And note that:

5. You will hear a noise as the compressor starts up. The liquid and gases sealed within the refrigeration system may also make some (noise), whether the compressor is running or not. This is quite normal.
 1. Slight undulation of the top of the cabinet is quite normal due to the manufacturing process used; it is not a defect.
 2. We recommend setting the thermostat knob midway and monitor the temperature to ensure the appliance maintains desired storage temperatures (See section Temperature Control and Adjustment).
 3. Do not load the appliance immediately it is switched on. Wait until the correct storage temperature has been reached. We recommend checking the temperature with an accurate thermometer (see; Temperature Control and Adjustment).

STORING FROZEN FOOD

Your freezer is suitable for the long-term storage of commercially frozen foods and also can be used to freeze and store fresh food. If there is a power failure, do not open the door. Frozen food should not be affected if the failure lasts for

less than 18 hrs. If the failure is longer, then the food should be checked and either eaten immediately or cooked and then re-frozen.

FREEZING FRESH FOOD

Please observe the following instructions to obtain the best results.

Do not freeze too large a quantity at any one time. The quality of the food is best preserved when it is frozen right through to the core as quickly as possible.

Do not exceed the freezing capacity of your appliance in 24 h.

Placing warm food into the freezer compartment causes the refrigeration machine to operate continuously until the food is frozen solid. This can temporarily lead to excessive cooling of the refrigeration compartment.

When freezing fresh food, keep the thermostat knob at medium position.

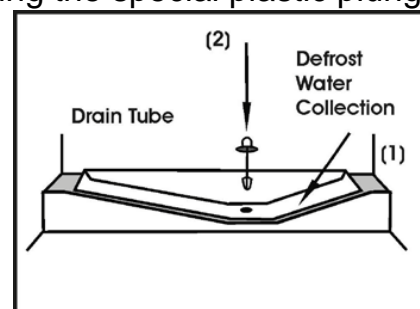
Small quantities of food up to 1/2 kg. (1 lb) can be frozen without adjusting the temperature control knob.

Take special care not to mix already frozen food and fresh food.

DEFROSTING

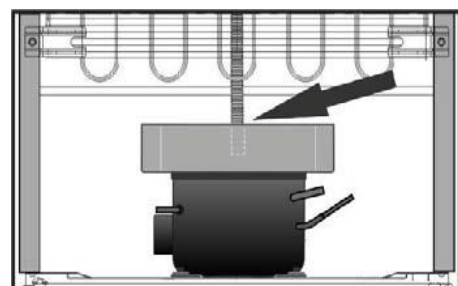
A) Fridge compartment The fridge compartment defrosts automatically. The defrost water runs to the drain tube via a collection container at the back of the appliance. During defrosting, water droplets may form at the back of the fridge compartment where a concealed evaporator is located. Some droplets may remain on the liner and refreeze when defrosting is completed. Do not use pointed or sharp-edged objects such as knives or forks to remove the droplets which have refrozen.

If, at any time, the defrost water does not drain from the collection channel, check that no food particles have blocked the drain tube. The drain tube can be cleared with a pipe-cleaner or Pushing the special plastic plunger provided down the drain tube (2). Check that the tube is permanently placed with its end in the collecting tray on the compressor to prevent the water spilling. If the frost layer reaches about 1/4" (7 mm), reduce the setting



B) Freezer compartment

The freezer compartment defrosts automatically.



Warnings!

The fan inside the freezer compartment circulates cold air. Never insert any object through the guard. Do not allow children to play with the freezer fan. Never store products that contain inflammable propellant gas (egg dispensers, spray cans etc.) or explosive substances. Don't cover the shelves with any protective materials, which may obstruct air circulation. Do not allow children to play with the appliance or tamper with the controls. Do not obstruct the freezer fan guard to ensure that you obtain the best possible performance from your appliance.

Warning!

Your appliance is fitted with a circulating fan which is essential for the performance of the freezer. Please ensure the fan is not blocked (stopped) or impaired by food or packaging. Blocking (stopping) or impairing the fan can result in an increase of the internal freezer temperature (Thawing).

REPLACING THE INTERIOR LIGHT BULB

Should the light fail to work, proceed as follows.

1. Switch off at the socket outlet and pull out the mains plug.

- You may find it useful to remove shelves for easy access.

1. Use a flat tipped screwdriver to remove the light diffuser cover by inserting the blade in each of the two recesses to prise off each side.
2. First check that the bulb hasn't worked loose by ensuring it is screwed securely in the holder. Replace the plug and switch on. If the bulb works, replace the light cover by inserting the rear lug and pushing up to locate the front two lugs.
3. If the light still fails to work, switch off at the socket outlet and pull out the mains plug. Replace the bulb with a new 10 watt (max) screw cap bulb.

CLEANING AND CARE

- 1 We recommend. That you switch off the appliance at the socket and pull out the plug before cleaning.
- 2 Never use any sharp instruments or abrasive substances, soap, household cleaner, detergent or wax polish for cleaning.
- 3 Use luke warm water to clean the cabinet and wipe dry.
- 4 Use a solution of one teaspoon of bicarbonate of soda to one litre of water and a clean cloth to clean the interior.
- 5 Make sure that no water enters the temperature control box.
- 6 If the appliance is not going to be used for a long period of time, switch it off, remove all food, clean it and leave the door ajar.
7. Any dust that gathers on the condenser, which is located at the back of the appliance, should be removed once a year with a vacuum cleaner.
8. Check door seals regularly to ensure they are clean and free from food particles.

9. Never:

- Clean the appliance with unsuitable material; eg petroleum based products.
- Subject it to high temperatures in any way,
- Scour, rub etc., with abrasive material.

9. Removal of door tray :

- To remove a door tray, remove all the contents and then simply push the door tray upwards from the base.

10. Make sure that the special plastic container (drain tray) at the back of the appliance which collects defrost water is clean at all times. If you want to remove the tray to clean it follow the instructions below:

- Switch off at the socket outlet and pull out the mains plug.
- Push the lug down with the tip of a screw driver & pull out with a jerk movement.
- Clean the drain tray and wipe it dry.
- Reassemble, reversing the sequence and operations

11. To remove a freezer drawer, pull it as far as possible, tilt it upwards and then pull it out completely.

12. To remove the freezer flap door, first open the door 3” and then gently pull it off. Make sure that the flap is in place before closing the freezer door.

13. Avoid spillage of food particularly small items like rice, peas, beans through the fan guard as they may cause the cooling system to block and therefore operate less efficiently.

DO'S AND DON'TS

Do-Clean and defrost your appliance regularly (See "Cleaning and Care")

Do-Keep raw meat and poultry below cooked food and dairy products.

Do-Take off any unusable leaves on vegetables and wipe off any soil.

Do-Leave lettuce, cabbage, parsley and cauliflower on the stem.

Do-Wrap cheese firstly in greaseproof paper and then in a polythene bag, excluding as much air as possible. For best results, take out of the fridge compartment an hour before eating.

Do-Wrap raw meat and poultry loosely in polythene or aluminium foil. This prevents drying.

Do-Wrap fish and offal in polythene bags.

Do-Wrap food with a strong odor or which may dry out, in polythene bags, or aluminum foil or place in airtight container.

Do-Wrap bread well to keep it fresh.

Do-Chill white wines, beer, lager and mineral water before serving.

Do-Check contents of the freezer every so often.

Do-Keep food for as short a time as possible and adhere to "Best Before" and "Use by" etc. dates.

Do-Store commercially frozen food in accordance with the instructions given on the packets.

Do-Always choose high quality fresh food and be sure it is thoroughly clean before you freeze it.

Do-Prepare fresh food for freezing in small portions to ensure rapid freezing.

Do-Wrap all food in aluminum foil or freezer quality polythene bags and make sure any air is excluded.

Do-Wrap frozen food immediately after purchasing and put it in to the freezer as soon as possible.

Do-Defrost food in the fridge compartment.

Do-Remove ice cream from the freezer 10-20 minutes before serving.

Don't-Store bananas in your fridge compartment.

Don't-Store melon in your fridge. It can be chilled for short periods as long as it is wrapped to prevent it flavoring other food.

Don't-Cover the shelves with any protective materials which may obstruct air circulation.

Don't-Store poisonous or any dangerous substances in your appliance. It has been designed for the storage of edible foodstuffs only.

Don't-Consume food which has been stored for an excessive length of time.

Don't-Store cooked and fresh food together in the same container. They should be packaged and stored separately.

Don't-Let defrosting food or food juices drip onto food.

Don't-Leave the door open for long periods, as this will make the appliance more costly to run and cause excessive ice formation.

Don't-Use sharp edged objects such as knives or forks to remove the ice.

Don't-Put hot food into the appliance. Let it cool down first.

Don't-Put liquid-filled bottles or sealed cans containing carbonated liquids into the freezer, as they may burst.

Don't-Exceed the maximum freezing loads (4 kg in any 24 hours) when freezing fresh food.

Don't-Give children ice-cream and water ices direct from the freezer. The low temperature may cause 'freezer burns' on lips.

Don't-Freeze fizzy drinks.

Don't-Try to keep frozen food which has thawed; it should be eaten within 24 hours or cooked and refrozen.

Don't-Remove items from the freezer with wet hands.

Don't-Close the freezer door before placing the compartment cover in its place.

Don't-Leave frozen food at room temperature to thaw; the best way to defrost food is to put it in the fridge to thaw slowly. Make sure you avoid defrosting food or food juices drip onto other food.

WARNING: This appliance is not intended for use by persons (including children) with reduced physical, sensory or mental capabilities, or lack of experience and knowledge, unless they have been given supervision or instruction concerning use of the appliance by a person responsible for their safety. Children should be supervised to ensure that they do not play with the appliance.

WARNING: Keep ventilation openings, in the appliance enclosure or in the built-in structure, clear of obstruction.

WARNING: Do not use mechanical devices or other means to accelerate the defrosting process, other than those recommended by the manufacturer.

WARNING: Do not damage the refrigerant circuit.

WARNING: Do not store explosive substances such as aerosol cans with a flammable propellant in this appliance.

This appliance is intended to be used in households but is not intended to be used in applications such as;

- Staff kitchen areas in shops, offices and other working environments;
- Farm houses and by clients in hotels, motels and other residential type environments;
- Bed and breakfast type environments;
- Catering and similar non-retail applications.

ENERGY SAVING TIPS

1-Ensure the time between buying chilled/frozen food and placing them in your appliance is kept at minimum, particularly in summer. We recommend you use a cool bag or a special carrier bag to carry frozen food.

2-Do not leave the door (s) of your appliance open longer than necessary and ensure they are closed properly after each opening. .

3-Defrost frozen food in the fridge compartment, so that frozen food acts as an ice pack to assist cooling in the fridge.


PROBLEM SOLVING

If the appliance does not operate when switched on, check whether:

- The plug is inserted properly in the socket and that the power supply is on. (To check the power supply to the socket, plug in another appliance).
- The fuse has blown/circuit breaker has tripped/main distribution switch has been turned off.
- The temperature control has been set correctly.
- New plug is wired correctly if you have changed the fitted moulded plug.

If the appliance is still not operating after the above checks, please refer to the section on "How To Obtain Service".

Please ensure that above checks have been made as a charge will be made if no fault is found

Recycling	This product bears the selective sorting symbol for waste electrical and electronic equipment (WEEE). This means that this product must be handled pursuant to European Directive 2002/96/EC in order to be recycled or dismantled to minimize its impact on the environment. For further information, please contact your local or regional authorities.
	Electronic products not included in the selective sorting process are potentially dangerous for the environment and human health due to the presence of hazardous substances.