



USER GUIDE

T5029W

Introduction

Thank you for buying this high quality appliance!

This handbook is designed to help you through each step of owning your new appliance, from installation to use.

Please read through this entire guide carefully before you start using your appliance, as we have endeavoured to answer as many questions as possible and provide you with as much support as we can.

If, however, you should find something missing or not covered, please contact the Lec Customer Care team who will be only too happy to assist you on:

0871 22 22 505

Our policy is one of constant development and improvement, therefore we cannot guarantee the strict accuracy of all of our illustrations and specifications changes may have been made subsequent to publishing.

Contents

For your safety	5
About your product	7
Installing your appliance.	8
Using your appliance.	10
Care & cleaning.	13
Troubleshooting.	14
Reversing the door.	15
Changing the bulb	17
Changing the plug	17 - 18
Service record	19
Customer Care.	Back cover

For Your Safety

Disposal of old appliances Before disposing of an old appliance, make sure that you have broken off, or disabled any locking mechanisms to prevent children becoming accidentally locked inside. Remove any plugs and power leads to ensure that the appliance is inoperative.



Please note: This symbol means that products bearing it may not be disposed of with household waste. The refrigeration system contains insulating gases and refrigerant which will require specialist disposal. Most components can be recycled. Always contact your local council or authority for information regarding the correct disposal/removal of old appliances, do not dispose of with household waste. **Warning:** When disposing of an old appliance make sure that the pipe work does not become damaged.

Packaging

All of the packaging supplied with your appliance can be recycled, or disposed of without any harm to the environment. Cardboard may be crushed, or cut into smaller pieces if required for recycling or disposal. The polythene and polystyrene included contain no CFC's, and are environmentally friendly. For further information on recycling, contact your local council or authority.

Before installing and using your new appliance

- Read through the instructions supplied with your appliance - failure to install or use this appliance in accordance with the instruction book may invalidate any warranty.
- The manufacturer does not accept any liability for damage caused through improper use, or incorrect installation.
- Do not install this appliance if it has been damaged during transportation. This includes the plug and power supply cord.
- Always install this appliance in line with these instructions.
- Always read these instructions fully before using the appliance for the first time.

For Your Safety

- **Warning:** Do not allow the refrigerant circuit to become damaged while using or installing. Should it become damaged, do not use the appliance until you are instructed to do so by a service engineer. Refrigerant can ignite or cause damage to the eye when leaking.
- Always remember to unplug the appliance before cleaning. When disconnecting from the electricity supply, pull the plug, not the power cord.
- Do not use any electrical appliance inside the food storage area - unless they are recommended by the manufacturer.
- All electrical repairs must be carried out by a qualified electrician. Inadequate repairs may result in a major source of danger for the user and invalidate any warranty.
- Never store anything dangerous inside the appliance, such as combustibles, explosives, strong acid and alkali etc. Alcoholic beverages must be stored upright in an air tight container in the refrigerator. Never store alcohol in a freezer.
- When cleaning the appliance, never use sharp or pointed metal implements. Always use a plastic scraper.
- Always keep any ventilation openings clear of obstruction. Should they become blocked, clear them straight away.
- Do not allow children to play, sit or hang onto any part of the appliance.
- This appliance is intended for domestic use only, for food refrigeration, food freezing and frozen food storage.
- Make sure that the plug is in an accessible place when installation is complete and remove all packaging.
- Only use this appliance for domestic purposes in accordance with these instructions.
- This appliance is not intended for use by persons (including children) with reduced physical, sensory or mental capabilities, or lack of experience and knowledge, unless they have been given supervision or instruction concerning use of the appliance by a person responsible for their safety.
- Refrigerating appliances might not operate consistently when sited for an extended period of time below the cold end of the range of temperatures of the appliance.

About Your Product

Model Name: T5029W

- 1 Thermostat & Light
- 2 Freezer Compartment
- 4 Glass Shelf
- 5 Door Shelves
- 6 Bottle Shelf
- 7 Salad Crisper



Technical Specification

Width (mm)	475
Depth (mm)	495
Height (mm)	852
Fresh Food Net volume (litres)	61
Freezer Net volume (litres)	27
Energy Rating	A
Freezing capacity	2kg / 24hrs
Climate Class	N
Noise	39 dBA
Refrigerant type	R600a (27g)

This appliance operates at a voltage of: 220 - 240V ~ 50Hz

Installing Your Appliance

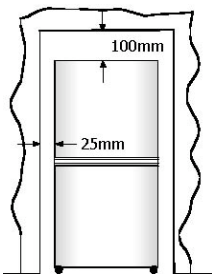
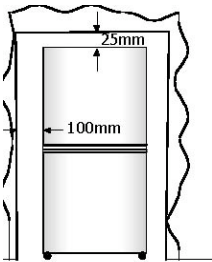
Before you start

- This appliance must stand vertically on a flat, even surface, to level the appliance use the leveling feet by turning them until the appliance is as level as possible. Do not install onto carpeted surfaces as this prevent adequate ventilation.
- Install the appliance in a well ventilated room. The appliance should not be placed near to any heat heat sources (cookers, heaters etc.) or in any unheated rooms (garages, outhouses etc.) as the ambient temperature affects the performance of the appliance.
- Do not expose the appliance to damp conditions, open air or rain.
- Do not lift the appliance by the pipes or the door when moving.

Should the appliance become damaged, contact Lec Customer Care and do not use the appliance until you are instructed to do so by a service engineer.

Installation clearances

- Allow 100mm clearance at the rear of the appliance and adequate clearance on each side and over the top to ensure proper ventilation (see figures). Use whichever dimensions suit your installation requirements best.



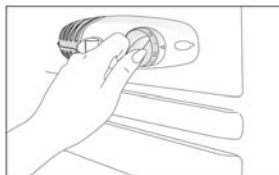
Getting started

Once you have installed your appliance in an appropriate location, follow the start up procedure below:

- Before you plug in the appliance, clean thoroughly the inside, and any accessories with warm water and bicarbonate of soda (0.5ml to 0.5 litres) and dry with a soft cloth.
- Leave the appliance to stand for 2 - 3 hours to allow the refrigerant to settle following installation and cleaning. If the appliance has been transported horizontally, it must be left to stand vertically for 12 hours before installation.
- Once dry, plug the appliance into the socket.
- Turn the thermostat to the required setting - a medium setting is usually suitable.
- Leave the appliance for at least 4 hours before storing any food inside to allow a sufficient temperature to be reached.

Using Your Appliance

About the thermostat



- The thermostat is located inside the fresh food compartment on the right hand side.
- To reduce the temperature inside the appliance, turn the thermostat towards 6 maximum.
- To increase the temperature inside the appliance turn the thermostat towards 1 minimum.
- Depending on the ambient temperature of the room the appliance is in, you may need to adjust the thermostat accordingly. In summer months the thermostat may need to be set at a lower temperature.

Thermostat guide

Thermostat setting	Season / best use	Ambient temperature (°C)
1 - 2	Winter	5 - 15
3 - 4	Spring / Autumn	15 - 25
5 - 6	Summer	25 - 35

In some cases food inside the refrigerator may become frozen,

common causes of this are:

- Thermostat is set too high - you will need to adjust the setting to a more suitable temperature.
- The ambient temperature has dropped suddenly (i.e. during winter) and this makes the refrigerator even colder.

Using Your Appliance

Tips for using this appliance

- Before storing cooked foods in the refrigerator, allow them to cool to room temperature.
- To maintain adequate air circulation, do not over fill the appliance. If there is too much food inside, the compressor does not work as effectively.
- Do not open the door any more than necessary - this will keep the temperature as cold as possible inside.
- When storing frozen food in the freezer, make sure that you follow the food manufacturers guidelines.
- Ices and water ices should not be consumed straight from the freezer - this can cause ice burns to the tongue and hands.
- Never touch the inside of the appliance, or any frozen items with wet hands. This can cause injury to your hands if they stick to cold surfaces.
- Wrap or cover foods well before storing. Always make sure that any packaging is air tight and suitable for use inside a fridge or freezer.
- Cooked meats and raw meats should be stored on separate shelves, and raw meat should not be allowed to drip onto other foods. Food which is to be frozen should not be in direct contact with already frozen food.
- You may hear gurgling noises or a humming sound while the appliance is in use and this is perfectly normal when the compressor is running and the coolant is moving through the system.
- A clicking sound may be heard, this is the thermostat and is normal.
- This appliance is designed to operate in an ambient temperature between 16 and 32 °C.
- Effervescent (fizzy) drinks should not be stored in the freezer or low temperature compartments.
- Do not exceed the storage times recommended by the food manufacturer and always check expiry dates.
- Smaller portions of fresh food freeze quicker than large portions. Divide large portions into smaller ones. This helps to preserve the nutrients and quality of the food.
- Always allow warm food to cool down before freezing it, preferably to room temperature.
- Before you store large amounts of food in the freezer, adjust the thermostat to the maximum (coldest) setting while the appliance freezes the food. After 24 hours, re-set the thermostat to the previous setting.
- Only thaw the amount of food you need, once food has been thawed cook it immediately.

Using Your Appliance

Defrosting your appliance

The refrigerator defrosting process is carried out automatically every time the compressor stops. The defrost water drains from the cabinet into a tray at the rear of the unit where it evaporates.

Defrosting the freezer

When? For the most efficient operation and minimum energy consumption, defrost the appliance compartment when the frost on the appliance walls is excessive or 1/4 inch thick.

CAUTION

Do not use boiling water because it may damage the plastic parts. In addition, never use a sharp or metallic instrument to remove frost as it may damage the cooling coils and will void the warranty. We recommend using the plastic scraper.

How?

- A few hours before defrosting set the thermostat to position 6, so foods are well frozen.
- Reset the thermostat to off position and disconnect the power supply.
- Remove the frozen food from the appliance and place it in a cooler to protect the food.
- Leave the door open for a while so that you can easily scrape off the frost.
- Use a plastic scraper but be careful not to damage the inner surfaces of the freezer.
- Wipe up the scraped frost and ice before it is completely defrosted.

In the event of a power cut If the power failure is 3 hours or less, food can remain inside the appliance. Keep the door closed to maintain the temperature inside. If the power cut is longer than 3 hours, remove all food, wrap well and store in a cool dry place.

Important: Be aware that the storage life of the food will have been reduced. Use up this food as soon as possible or discard. Do not re-freeze food which has thawed, either consume or cook and re-freeze if appropriate.

The drainage channel The drainage channel collects water on the back wall of the refrigerator and ensures that it is drained away into a drip tray at the rear of the appliance

Care & Cleaning

Before cleaning your appliance

You should always unplug this appliance before cleaning.

To clean your appliance

- Remove the accessories inside and clean them using warm water and a neutral detergent. Do not place them in a dishwasher.
- Clean the inside of the cabinet with warm water and a neutral detergent, do not use harsh abrasives or caustic cleaners.
- Dry the inside of the cabinet with a soft, dry cloth. Always make sure the inside of the appliance is dry after cleaning.
- Avoid getting water into the electric components of the appliance (i.e. the thermostat), or spilling water on the fridge.
- When cleaning the door seals, use only warm soapy water. Please use a mild soap and avoid damaging the door seal as this will affect the performance of your appliance.
- Clean the outside of the appliance with warm, soapy water and dry with a soft cloth. Any accumulation of dirt and dust should be removed from the back and bottom of the appliance to maintain adequate ventilation.
- If the appliance is not in use for a long period of time, you should clean the appliance as detailed. Make sure that it is dry, then unplug and leave the door open to prevent unpleasant smells inside.
- Clean the drainage channel regularly to prevent any build up of impurities. Use a damp clean cloth and wipe the channel clean, then use a pipe cleaner or similar flexible object to clean the drainage hole to prevent blockages.

Please note: Regular turning off may shorten the life of this appliance.

Troubleshooting

Before calling Lec Customer Care, please check the table below to see if the problem can be solved without calling for a Service engineer.

Problem	Solution
The fridge / freezer doesn't work	<input type="checkbox"/> Check that the appliance is switched on <input type="checkbox"/> Check that the plug is not damaged <input type="checkbox"/> Check that the fuse has not blown <input type="checkbox"/> Check that the voltage is correct for the appliance <input type="checkbox"/> Turn the thermostat up higher <input type="checkbox"/> Check there has not been a power cut by checking the household lights.
Unusual noises	<input type="checkbox"/> Check that the appliance is on a flat, level surface and is stable. <input type="checkbox"/> Check that nothing is coming into contact with the appliance.
The temperature inside the fridge / freezer is not cold enough.	<input type="checkbox"/> Check that there is not too much stored in the appliance. <input type="checkbox"/> Check the frequency of door openings. If opened too often this can cause the compressor to run for some time. <input type="checkbox"/> Check that the thermostat is set to a suitable temperature. <input type="checkbox"/> Check that the appliance is not in direct sunlight, or near a heating source. <input type="checkbox"/> Check that the ventilation space has not become blocked. <input type="checkbox"/> Check the ambient temperature is within the operation limits of the appliance (16°C - 32°C)
The temperature inside the appliance is too cold	<input type="checkbox"/> Change the temperature setting to a more suitable setting.
The outer surfaces of the fridge / freezer are wet	<input type="checkbox"/> Caused by condensation - dry the outer of the appliance carefully.
The inner surfaces of the fridge / freezer are wet	<input type="checkbox"/> The door is opened frequently, or kept open too long. <input type="checkbox"/> Caused by condensation - dry the inside of the appliance thoroughly.
Excess frost and ice has built up inside the appliance.	<input type="checkbox"/> Check that the door has not been left open. <input type="checkbox"/> Check that the door gasket is clean and undamaged.

Please note: Any damage caused by not following the instructions within this handbook may lead to a charge for a service engineer visit and any repairs carried out.

Reversing the doors

Warning: The appliance must always be disconnected from the power supply when changing the direction the doors open.

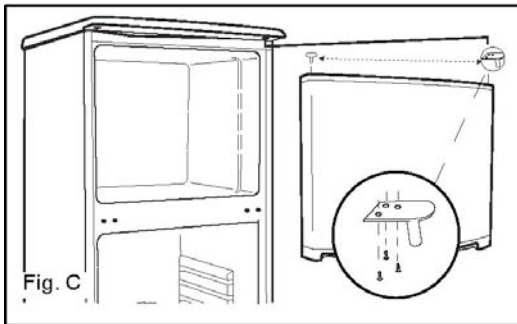
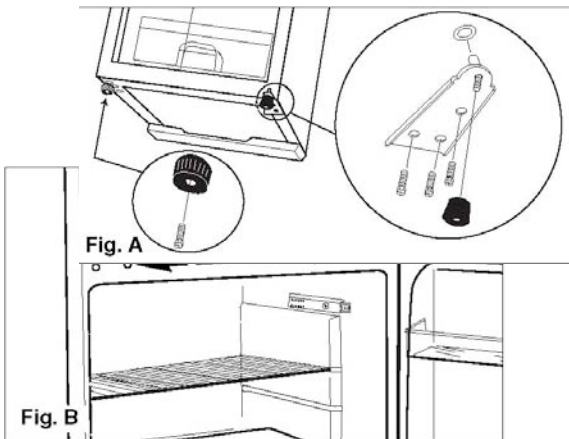
CAUTION: To avoid personal injury to yourself and/or property, we recommend someone assist you during the door reversal process.

1. To access the lower hinge assembly, tilt back the refrigerator cabinet or lay the refrigerator on its back.
2. Remove both legs located at the front of the cabinet; adjustable leg on hinge side, fixed leg on opposite side (Fig.A)
3. Remove the screws holding the lower hinge assembly to the cabinet. (Fig.A)
4. Remove the main door assembly from the refrigerator cabinet (open door and pull down).
5. Remove the screws from the middle hinge assembly. Then remove the hinge and freezer door.
6. Remove the top hinge pin. (Fig.C)
7. Re-install the top hinge pin on the opposite side of the cabinet. (Fig.C)
8. Remove the door plugs and door bushings located on the top and bottom of each door assembly.
9. Interchange positions of plugs and bushings on both doors. (ie.door plug right side, door bushing left side.)
10. Re-install freezer door assembly on cabinet.
11. Re-install the middle hinge assembly on the opposite side. (Fig.B)
12. Make sure the door assembly is properly aligned on the cabinet, before tightening hinge screws.
13. Re-install the main door assembly on cabinet.
14. Re-install the lower hinge assembly on the opposite side. Making sure to change bushing and screw on opposite sides on bottom of unit.

15. Make sure the door assembly is properly aligned on the cabinet, before tightening lower hinge screws.

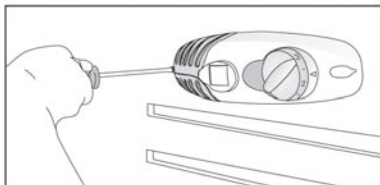
16. Re-install both legs (interchanged from the original positions; adjustable leg on hinge side, fixed leg on opposite side).

The process is now complete.



Changing the light bulb

Note. Light bulbs are not covered by the warranty.



Disconnect the appliance from the mains supply.

- Remove the light bulb cover.
- Unscrew the bulb.
- Replace with a E14 screw-cap type 15 Watt (Max) bulb that is the same shape and size.
- Replace the light bulb cover.

Changing the Plug

Any electrical work required to install this appliance should be carried out by a qualified electrician or competent person. This appliance must be earthed. The manufacturer declines any liability should these safety measures not be observed.

Electrical Requirements

Before switching on, make sure the electricity supply voltage is the same as that indicated on the appliance rating plate. The appliance is supplied with a 13 amp plug fitted. In the event of having to change the fuse in the plug supplied, a 13 amp ASTA approved (BS 1362) fuse must be used. Should the plug need to be replaced for any reason. The wires in the mains lead are coloured in accordance with the following code:

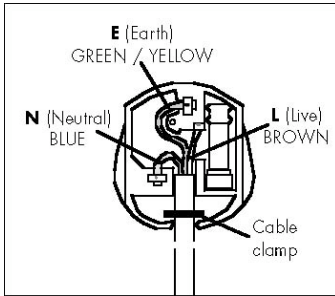
Green and Yellow: Earth Blue: Neutral Brown: Live

The wire coloured green and yellow must be connected to the terminal marked with the letter "E" or by the earth symbol or coloured green and yellow. The wire coloured blue must be connected to the terminal "N". The wire coloured brown must be connected to the terminal marked "L".

Upon completion there must be no cut, or stray strands of wire present and the cord clamp must be secure over the outer sheath.

Important!

The plug must still be accessible after the appliance has been installed. The appliance should not be connected to the electrical supply by means of an extension cable. In case that the electrical cable has to be replaced, please contact the Customer Care Centre and arrange a service engineers visit. Warning! A cut off plug inserted into a 13 amp socket is a serious safety (shock) hazard. Ensure that it is disposed of safely. This appliance complies with the following E.E.C. Directives: 73/23 EEC of 19.02.73 (Low Voltage Directive) and subsequent modifications, 89/336 EEC of 03.05.89 (Electromagnetic Compatibility Directive) and subsequent modifications.



The wires in the mains lead are coloured in accordance with the following code:

Green and Yellow = Earth Blue = Neutral Brown = Live

Service Record

Please record your model number and serial number in the space below. Having these numbers to hand will help us to help you, quickly and more efficiently. When contacting us, please use the Customer Care number on the back cover of this handbook

Model Number

Serial Number

Date of purchase

Installers stamp / Printed
name

Date of installation

Place of purchase:

Date

Part(s) replaced

Engineers Stamp/
Printed Name



Lec Refrigeration

Stoney Lane, Prescott, Merseyside, L35 2XW

Customer Care Centre: 0871 22 22 505

www.lec.co.uk

Lec Refrigeration, a division of Glen Dimplex Home Appliances

Model name: T5029W