

Lec

TF60185WTD W
TF60185WTD S
TF60185WTD A

User Manual

please keep this handbook in a safe place

LEC Customer Care

Please keep this handbook in a safe place.

Please fill in the model number and serial number in the spaces provided below as they will assist us should you need to call.

0844 815 3737

When you dial this number you will hear a recorded message and be given a number of options. This indicates that your call has been accepted and is being held in a queue. Calls are answered in strict rotation as our Customer Care Representatives become available.
Enter appliance numbers here for future reference:

Model No
<input type="text"/> <input type="text"/> <input type="text"/> <input type="text"/> <input type="text"/> <input type="text"/> <input type="text"/> <input type="text"/> <input type="text"/>
Serial No
<input type="text"/> <input type="text"/> <input type="text"/> <input type="text"/> <input type="text"/> <input type="text"/> <input type="text"/> <input type="text"/>

These numbers can be found on your appliances.
Outside the UK and Northern Ireland, refer to your local supplier.

Lec

Stoney Lane, Prescot, Merseyside, L35 2XW

Part Number: xxxxx



THIS PRODUCT IS FOR HOUSEHOLD USE ONLY!

Please read these instructions carefully before the first use of this product and save this manual for your future reference.

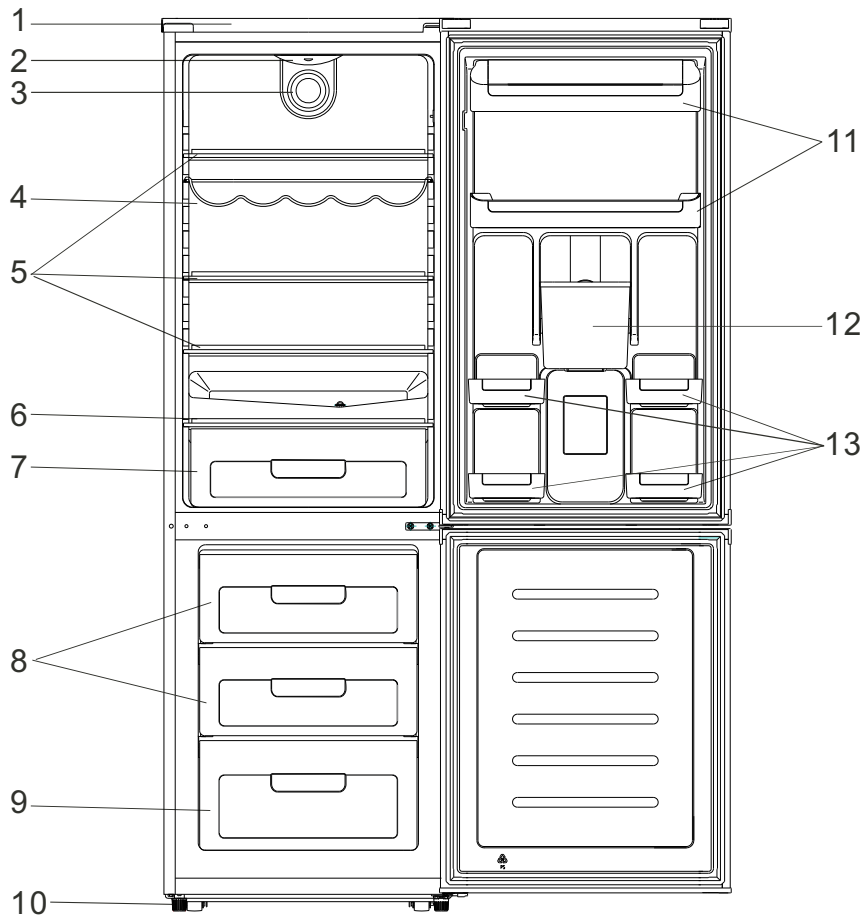
IMPORTANT SAFETY INSTRUCTIONS

When using an electrical appliance, basic precautions should always be followed, including the following:

1. Do not use if supply cord is damaged. If damaged, it must be replaced by the manufacturer or a similarly qualified person in order to avoid hazard.
2. This product is not intended for use by young children or infirm persons, without supervision. Young children must be supervised to ensure they do not play with the appliance.
3. Ensure the refrigerator is unplugged before cleaning or if the product is not in use.
4. To clean the appliance use only mild detergents or glass cleaning products. Never use harsh detergents or solvents.
5. It is not recommended to use this refrigerator with an extension cord or power board. Please ensure that the appliance is plugged directly into the electrical outlet.
6. When positioning the appliance, ensure that there is at least a 5cm clearance at the sides and a 10cm clearance at the back as this is the main outlet for heat. This will allow for adequate ventilation.
7. Do not place hot food or drink into the refrigerator before it cools down to room temperature.
8. Close the door immediately after putting in any items so the inside temperature will not rise dramatically.
9. Keep appliance away from any heat source or direct sunlight.
10. To fix stably, the appliance must be placed on a flat and solid surface. It should not be laid on any soft material.
11. Do not place any other appliance on top of the refrigerator, and do not wet it.
12. Do not store something like ether, methanol, gasoline etc., which is easy to evaporate burn or explode.
13. To avoid injury or death from electrical shock do not operate the appliance with wet hands, while standing on a wet surface or while standing in water.
14. Do not use outdoors or in wet conditions.
15. Never pull the cord to disconnect it from the outlet. Grasp the plug and pull it from the outlet.

16. Keep the cord away from heated surfaces.
17. Do not store something like ether, methanol, gasoline etc., which is easy to evaporate burn or explode.
18. Connect your refrigerator to an independent electrical socket and use a safe ground wire. The voltage should be limited within the ranges from 220 – 240V.
19. When the frost in freezer is removed, or when there is no electricity or when refrigerator ceases to be used, it should be cleaned in order to prevent it from smelling.
20. Defrost the freezer at least once a month because too much frost may affect refrigeration.
21. Do not touch the appliance with wet hands or with naked feet on a wet floor.
22. Do not use flammable appliances inside the food storage compartments of the appliance, unless they are of the type recommended by the manufacturer.
23. Do not damage the refrigerant circuit. This warning is only for appliances with refrigerating circuits which are accessible to the user.
24. Do not use electrical appliances inside the food storage compartments of the appliance, unless they are of the type recommended by the manufacturer.
25. Turn on electricity only 5 minutes later after electricity goes off. Otherwise, the compressor may be damaged.
26. This appliance is not intended for use by persons (including children) with reduced physical, sensory or mental capabilities, or lack of experience and knowledge, unless they have been given supervision or instruction concerning use of the appliance by a person responsible for their safety.
27. Children should be supervised to ensure that they do not play with the appliance.
28. The appliance is not intended to be operated by means of an external timer or a separate remote –control system.
29. This appliance has been incorporated with a grounded plug. Please ensure the wall outlet in your house is well earthed.
30. It is recommended to check regularly the supply cord for any sign of possible deterioration, and the appliance should not be used if the cable is damaged.

STRUCTURE ILLUSTRATION

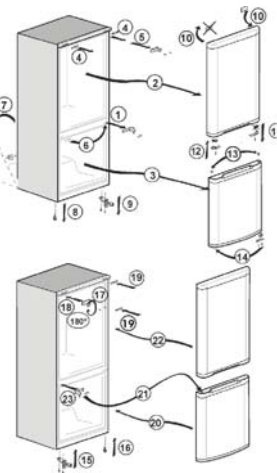


- | | |
|------------------------|---------------------|
| 1. Top Cover | 8. Upper Drawer |
| 2. Thermostat Device | 9. Lower Drawer |
| 3. Fan | 10. Adjustable Foot |
| 4. Wire Shelf | 11. Full Balcony |
| 5. Refrigerator Shelf | 12. Water Tank |
| 6. Salad Crisper Cover | 13. Small Balcony |
| 7. Salad Crisper | |

REVERSING THE DOORS

(You may need somebody to help you.)

- 1- Switch off the appliance at the socket outlet and pull out the mains plug.
- 2- Remove all loose items and fittings and food, if any, from inside the appliance and door racks.
- 3- Unscrew the bolts and remove the middle hinge while holding doors. (1)
- 4- Remove the fridge door from the top hinge. (2)
- 5- Remove the freezer door. (3)
- 6- Remove the plastic covers on the front top trim. (4)
- 7- Unscrew the bolts of the top hinge and remove top hinge. (5)
- 8- Reposition plugs on the opposite side. (6)
- 9- Carefully tilt the appliance on its back. (7)
(You may need somebody to help you.)
- 10- Remove the leveling screw. (8)
- 11- Take off lower hinge. (9)
- 12- Remove the plastic cover and fit the stopper which is in the plastic bag to the other side. (10)
- 13- Unscrew and remove the middle hinge bushing from fridge door. (11)
- 14- Screw and fix the new middle hinge bushing which is supplied in plastic bag to the other side. (12)
- 15- Reposition the hinge bushing and the stopper on the freezer door. (13)
- 16- Unscrew and reposition the bottom hinge bushing. (14)
- 17- Reassemble the lower hinge on the opposite side (15)
- 18- Reinsert the leveling screw. (16)
- 19- Rotate the top hinge 180°. Unscrew the hinge pin and re-tighten it to the opposite side.(17)
- 20- Fit the top hinge and tighten the bolts. (18)
- 21- Fit the plastic cover on the front top trim. (19)
- 22- Locate the freezer door to the bottom hinge and attach to the cabinet. (20)
- 23- Locate the middle hinge on the freezer door (21) and put the fridge door between the top and middle hinge carefully. (22)
- 24- Fit the middle hinge. Adjust the doors and tighten the bolts. (23)
- 25- Carefully stand your appliance (you may need somebody to help you) adjust the front feet.
- 26- Put back all, loose items and fittings.
- 27- Wait for at least 4 hours to allow the system to settle before switching on.
- 28- Once the correct storage temperatures have been reached in the appliance, put back all the food.



TRANSPORT AND HANDING

When transportation, hold the base and lift the refrigerator carefully with an angle inferior at 45 degree. Never hold the door handle as support. Never place it upside down nor horizontally. Push refrigerator on its basis and place it thanks to its roller feet.

INSTALLATION

To fix stably, the appliance must be placed on a flat and solid surface. It should not be laid on any soft material.

Choose a well-ventilated place. A space of at least 10cm must be left around the refrigerator.

Choose a location where there is no heat source. Keep the refrigerator away from direct sunlight or other appliance producing heat.

Choose a dry and well-ventilated place where there is no corrosive air.

TEST

Clean the parts of the refrigerator with lukewarm water on a soft cloth or with a neutral detergent and with clear water, then wipe them dry.

Notes: Electric parts of the refrigerator can only be wiped by dry cloth.

Turn the thermostat knob on the "3" position and turn on electricity. The compressor and the light inside the refrigerator begin to work.

Close the door and wait 30 minutes. If the temperature in the freezer compartment decreased obviously, it shows that the refrigerator system works well. When the refrigerator operates for a period of time, the temperature controller will automatically set the temperature on conditions that the door is not too often opened.

If the above steps are successful, the trial operations are finished. The refrigerator works normally.

TEMPERATURE CONTROL

The temperature in the refrigerator compartment and in the freezer compartment is controlled by the temperature controller installed at the top of the refrigerator compartment.

Turn the thermostat knob to regulate the temperature inside the refrigerator.

The marks on the knob are not the exact number of the degrees of temperature but the temperature grades to "0" from "7". The first grade corresponds to a forced STOP of the refrigeration and the 7th grade corresponds to the lowest temperature the refrigerator can produce. Turn the knob from "1" position to "7" position, the temperature decreases continuously.

Set the thermostat knob to "3-4" position for a normal use.

STORAGE OF FOOD

How to Use the Freezer Compartment?

- Put fresh food, such like fish or meat, into the freezer to save their taste and nutrient.
- Wrapped food has to be frozen in aluminum sheet or cellophane sheet or in airtight plastic boxes.
- Do not put fresh food directly in contact with food already frozen.
- If you buy frozen food, bring it home and place it in freezer as quickly as possible.
- Never re-freeze a defrosted product.

How to Use the Refrigerator Compartment?

- Eggs have to be put in the eggs' pockets, bottles in the bottles' pocket, etc.
- Fruits and vegetables have to be put in the salad crisper.
- Jars have to take place in the tubs of the door of the refrigerator.
- Other perishable food, or which can loosen stenches in the refrigerator, must be separately packed.

Placement of Food

- Please not accumulate too much food in the refrigerator because it would engender a loss of cold.
- Food has to be wrapped separately in aluminum sheet or in cellophane sheet or in airtight plastic boxes.

- Hot food cannot be put in the refrigerator or in the freezer until they have reached the ambient temperature, or it will increase electrical consumption.
- Never place vegetables and fruits into freezer compartment because they will be unfit for the consumption once defrosted..

GENERAL INSTRUCTIONS FOR CARE AND MAINTENANCE

The refrigerator should be cleaned once a month. Before cleaning, the electric plug must be removed from the power supply.

Wipe the inside and the outside of the refrigerator with a wet soft cloth.

If it's too dirty, clean with a soft cloth with neutral detergent and, then remove the moisture with dry cloth.

If you leave the refrigerator idle for a long time, proceed as follows:

- Disconnect the refrigerator from the electric power supply.
- Remove all food.
- Clean and dry the inside as instructed in the direction given above for cleaning.
- Leave the doors open to prevent any unpleasant smells while the refrigerator is not used.

Cleaning

When cleaning the refrigerator the electric plug must be removed from the power supply.

Use water or a non-abrasive detergent on a soft cloth and remove the moisture with a dry soft cloth. Remember to clear the defrost drain at the back just above the glass cover.

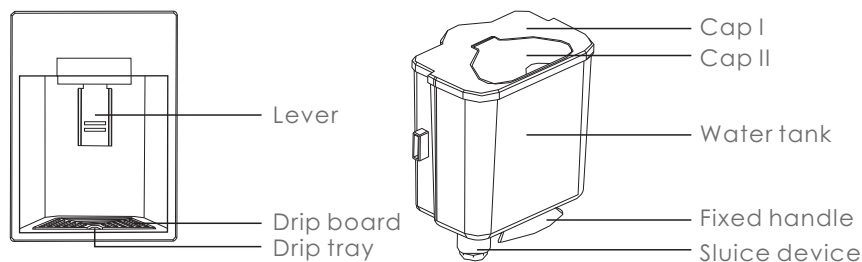
Replacing the light bulb

If the internal light does not work anymore, please call the service after sale of the shop a retailer to replace the light bulb.

WATER DISPENSER

The water dispenser allows access to chilled water without having to open the refrigerator door.

The number of door openings is thus reduced, less cold air is lost from the refrigerator and you save on electricity costs.



Filling the water tank

- Open the cap II of the water tank.
- Fill with pure and clean drinking water.
- Do not overfill the tank. The capacity is 2.5L.
- Close the cap II.

Notes: Do not fill water tank with any liquid other than drinking water. Beverages such as fruit juice, carbonated fizzy soda drinks and alcohol are not suitable for use with the water dispenser. If such liquids are used, the water dispenser may malfunction and be damaged beyond repair. Some chemical ingredients and drink additives may also attack and damage the water tank material. The guarantee does not cover such eventualities.

Using the dispenser

- Push in the lever of the water dispenser with your glass.
- Releasing the lever, stops further dispensing of water.
- Flow rate is dependent on how far the lever is pushed back:
 - Fully back = full flow
 - Gently back = trickle
- As the level of water in your cup/glass rises, gently reduce the amount of pressure on the lever to avoid overflow.

Notes: Push the water dispenser lever with a rigid cup. If you are using a plastic disposable cup, then push the lever with your fingers from behind the cup.

Clean the water tank

- Remove the water tank by pulling out the fixed handle.
- Take off the cap I. Clean the tank with warm and clean water.
- Install the water tank and push back the fixed handle.
- To prevent possible leakage, ensure that any parts removed during cleaning are refitted correctly in their original locations.

Notes: The water tank and dispenser components are not dishwasher-proof.

Drip tray

- Water dripping from the dispenser while in use, accumulates in the drip tray.
- Remove the drip board. Clean the board and tray with a clean and dry cloth.
- Put the drip board back.

ELECTRICAL REQUIREMENT

Any electrical work required to install this appliance should be carried out by a qualified electrician or competent person. This appliance must be earthed. The manufacturer declines any liability should these safety measures not be observed.

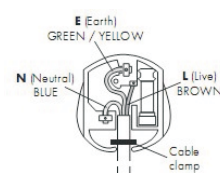
Before switching on, make sure the electricity supply voltage is the same as that indicated on the appliance data badge.

The appliance is supplied with a 13 amp plug fitted. In the event of having to change the fuse in the plug supplied, a 13 amp ASTA approved (BS 1362) fuse must be used. Should the plug need to be replaced for any reason. The wires in the mains lead are coloured in accordance with the following code:

Green and Yellow: Earth

Blue: Neutral

Brown: Live



The wire coloured green and yellow must be connected to the terminal marked with the letter "E" or by the earth symbol \equiv or coloured green and yellow. The wire coloured blue must be connected to the terminal "N". The wire coloured brown must be connected to the terminal marked "L".

Upon completion there must be no cut, or stray strands of wire present and the cord clamp must be secure over the outer sheath.

TROUBLESHOOTING

If your device shows the other symptoms that those described above, please call the service after sale of the shop a retailer.

Symptom	Cause	Solution
The appliance does not work	There is no power supply	Check the plug connecting it others appliance, or verify that the appliance is connected to the plug
	The fuse doesn't work	Replace the fuse
The appliance makes a lot of noise	The appliance is too close to the wall, or is not stable, or the accessories inside the refrigerator are placed in wrong position	Stabilize the base of the refrigerator by adjusting the position of feet, take away the device of the wall, place correctly the accessories inside the refrigerator
The appliance doesn't cool enough	The door is too often opened or was left opened for a long time	Close the door and do not open it too much frequently
	The refrigerator is too close to the wall	Take away the device of the wall to favor the ventilation
	The refrigerator is too full	Remove food of the device
	The temperature is badly, adjusted	Turn the knurl of regulation of temperature on "3" or more
There are smells in the appliance	Food made obsolete inside the refrigerator	Throw away obsolete food and wrap the other
	The inside of the device at need to be cleaned	Clean the inside of the refrigerator

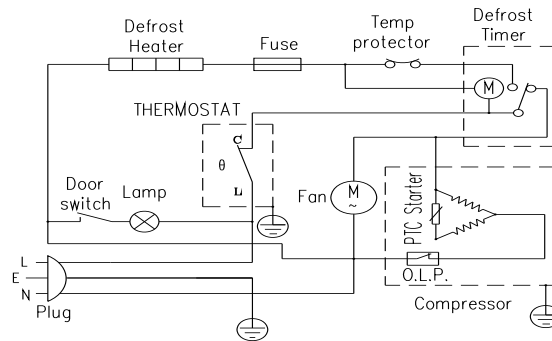
The following symptoms are not breakdowns:

- The noise of the cooling liquid which circulates in pipes can be heard, it is normal.
- The humidity on the surface outside of the device during the wet seasons is not a problem of the device; you just need to wipe it with a dry soft cloth.
- The compressor and the condenser can warm more during the periods of strong heat.
- The frame of the door is a bit hot; it means that the condenser works to evacuate the humidity of air.

TECHNICAL SPECIFICATIONS

Reference:	TF60185WTD W/S/A
Rated voltage:	220-240V~
Rated current:	0.5A
Rated frequency:	50Hz
Rated power:	140W
Lamp power:	2W
Total volume:	290L
Climate tape:	N/ST
Refrigerant:	R600a(47g)
Energy consumption:	263kW.h/an
Protection against electrical shock:	I
Net weight:	62kg
Foam:	CYCLOPENTANE
Energy class:	A+

CIRCUIT DIAGRAM



Attention:

Scheme provided for information only . The specific parameters are based only on data on the nameplate .

WARNING:

- Do not use mechanical devices or other mean to accelerate the defrosting process, other than those recommended by the manufacturer.
- Do not use any appliance in the food storage compartment, except those types recommended by the manufacturer
- This Appliance does not intend to be used by body, sense organ or mental defective people, or those who lack of experience and common sense(including children), Unless they are under enough care by their Safety Director who can give them guidance on how to use it.

We decline liability for any damage or accident derived from any use of this product which is not in conformity with the instructions contained in this booklet.

CORRECT DISPOSAL OF THIS PRODUCT



This marking indicates that this product should not be disposed with other household wastes throughout the EU. To prevent possible harm to the environment or human health from uncontrolled waste disposal, recycle it responsibly to promote the sustainable reuse of material resources. To return your used device, please use the return and collection systems or contact the retailer where the product was purchased. They can take this product for environmental safe recycling.