



CHEST FREEZER

USER GUIDE

LEC CF100LW MK2

LEC CF150LW MK2

LEC CF200LW MK2

LEC CF250LW MK2

LEC CF300LW MK2

Table of Contents

WARNINGS	2
IMPORTANT SAFETY INSTRUCTIONS	5
NAMES OF PARTS.....	5
BEFORE INSTALLING THE APPLIANCE	5
INSTALLATION.....	6
BEFORE PLACING FOOD IN THE APPLIANCE	6
POWER FAILURE	6
ADJUSTING THE TEMPERATURES AND FUNCTIONS	7
MOVING YOUR APPLIANCE.....	8
FREEZING AND STORING FOOD IN THE FREEZER.....	8
DEFROSTING.....	9
TIPS FOR SAVING ENERGY	10
OPERATING NOISES.....	10
CLEANING AND MAINTENANCE	10
TROUBLESHOOTING.....	11
BULB REPLACEMENT	11
DISPOSAL.....	11

Safety Warnings



Warning: risk of fire

For your continued safety and to reduce the risk of injury or electric shock, please follow all the safety precautions listed below.

- Read all instructions carefully before using the unit and keep them for future reference.
- Retain the manual. If you pass the unit onto a third party, make sure to include this manual.
- This appliance is intended to be used in households but is not intended to be used in applications such as;
 - Staff kitchen areas in shops, offices and other working environments;
 - Farm houses and by clients in hotels, motels and other residential type environments;
 - Bed and breakfast type environments;
 - Catering and similar non-retail applications.
- Ensure that the plug is easily accessible to enable disconnection from the mains supply.
- If the mains cable is damaged, it must be replaced by the manufacturer, its service agent or a qualified technician in order to avoid a hazard.
- Choose a location for your unit away from heat sources such as radiators or fires as refrigerant and vesicant are burnable.
- The unit must be manoeuvred by a minimum of 2 persons.
- This appliance can be used by children aged from 8 years and above and persons with reduced physical, sensory or mental capabilities or lack of experience and knowledge if they have been given supervision or instruction concerning use of the appliance in a safe way and understand the hazards involved. Children shall not play with the appliance. Cleaning and user maintenance shall not be made by children without supervision.
- Children should be supervised to ensure that they do not play with the unit.
- If your unit is fitted with a lock to prevent children being trapped inside, keep the key out of reach and not in the vicinity of the unit.

- Do not store explosive substances such as aerosol cans with a flammable propellant in this appliance.
- Please do not place loose items on top of the unit, as these can drop and cause a reduction in air flow to the compressor.
- Do not store bottles or glass containers in the freezer compartment. Contents can expand when frozen (fizzy drinks) which may break the bottle and damage your freezer compartment. (If applicable)
- Do not store bottles or glass containers in the freezer compartment.
- When positioning the appliance, ensure the supply cord is not trapped or damaged.
Do not locate multiple portable socket-outlets or portable power supplies at
- the rear of the appliance.
Children aged from 3 to 8 years are allowed to load and unload refrigerating
- appliances.
To avoid contamination of food, pay attention to the following:
 - opening the door for long periods can cause a significant increase of the temperature in the compartments of the appliance;
 - clean regularly surfaces that can come in contact with food and accessible drainage systems;
 - clean water tanks if they have not been used for 48 hours; flush the water system connected to a water supply if water has not been drawn for 5 days;
 - store raw meat and fish in suitable containers in the refrigerator so that it is not in contact with or drip onto other food;
 - two-star frozen-food compartments are suitable for storing pre-frozen food, storing or making ice-cream and making ice cubes;
 - one-, two- and three-star compartments are not suitable for the freezing of fresh food;
 - if the refrigerating appliance is left empty for long periods, switch off, defrost, clean, dry and leave the door open to prevent mould developing within the appliance.



WARNING

- Keep ventilation openings in the unit enclosure or in the built-in structure clear of obstructions.
- Do not use mechanical devices or other means to accelerate the defrosting process, other than those recommended by the manufacturer.
- Do not use electrical appliances inside the food storage compartments of the unit, unless they are of the type recommended by the manufacturer.
- Do not damage the refrigerant circuit (The refrigerant is a very environmental-friendly gas but is also combustible. Take care when transporting or moving the unit to ensure that the refrigeration circuit is not damaged. In the event of damage avoid naked flames or ignition sources and ventilate the room in which the unit is placed for a few minutes.)

WARNING



IT IS HAZARDOUS FOR ANYONE OTHER THAN AUTHORISED SERVICE PERSONNEL TO CARRY OUT SERVICING OF REPAIRS WHICH INVOLVE THE REMOVAL OF COVERS.



TO AVOID THE RISK OF AN ELECTRICAL SHOCK DO NOT ATTEMPT REPAIRS YOURSELF.

IMPORTANT SAFETY INSTRUCTIONS

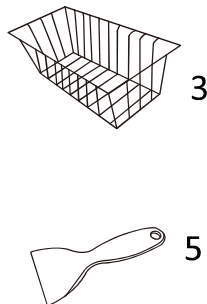
- If you are discarding an old appliance with a lock / catch fitted to the door, ensure that it is left in a disabled condition to prevent the entrapment of young children when playing.
- Unplug the appliance from the mains socket when not in operation and before cleaning. Remove food before cleaning the appliance.
- Do not insert oversized food as this could cause incorrect operation.
- Extreme caution must be used when moving the appliance.
- Do not give children ice-cream and water ices direct from the freezer as the low temperature may cause 'freezer burns' on the lips.
- Do not stand or support yourself on the base or door, etc.
- Do not use pointed or sharp-edged tools to remove frost or layers of ice. Use the supplied plastic scraper.

Dispose of your old appliance

Freezers contain refrigerant and gases in the insulation.

Refrigerant and blowing gases must be disposed of professionally. Ensure that tubing of the refrigerant circuit is not damaged prior to proper disposal.

NAMES OF PARTS



1. Door handle
2. Display and control panel
3. Basket
4. Drain cover
5. Ice scraper
6. LED light

BEFORE INSTALLING THE APPLIANCE

Before connecting your appliance to the power supply, check that the voltage stated on the rating label of your appliance corresponds to the voltage in your home. A different voltage could damage the appliance.

The plug is the only way to unplug the appliance and should therefore be accessible at all times. To turn off main power to the appliance, turn it off and then detach the plug from the outlet.

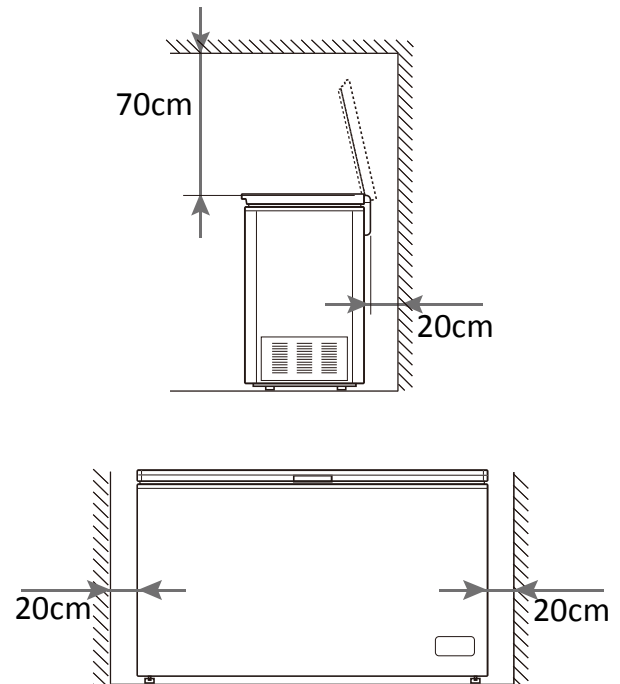
The appliance must be grounded. The manufacturer is not responsible for damages that may occur as a result of usage without grounding.

INSTALLATION

When selecting a position for your unit you should make sure the floor is flat and firm and the room is well ventilated. This unit can be used in a garage or outbuilding. For optimum energy efficiency the unit should be located within an average room temperature of between 10°C and 43°C. If the room temperature drops below or rises above these temperatures the energy consumption and performance may be affected. Avoid locating your unit near a heat source, e.g. cooker, boiler or radiator. Also avoid direct sunlight as it may increase the electrical consumption. Do not drape the unit with any covering.

The top space of the freezer shall be greater than 70cm and the distances from both sides and backside shall be more than 20cm for facilitating the opening and closing and heat dissipation.

For uneven surfaces, align the 2 feet on the bottom of the appliance.



BEFORE PLACING FOOD IN THE APPLIANCE

Remove all packaging.

Allow the appliance to run empty for 2 – 3 hours so the freezer can cool to the appropriate temperature. Clean the inside of the appliance with warm water and a little liquid detergent to remove manufacturing and transportation dust.

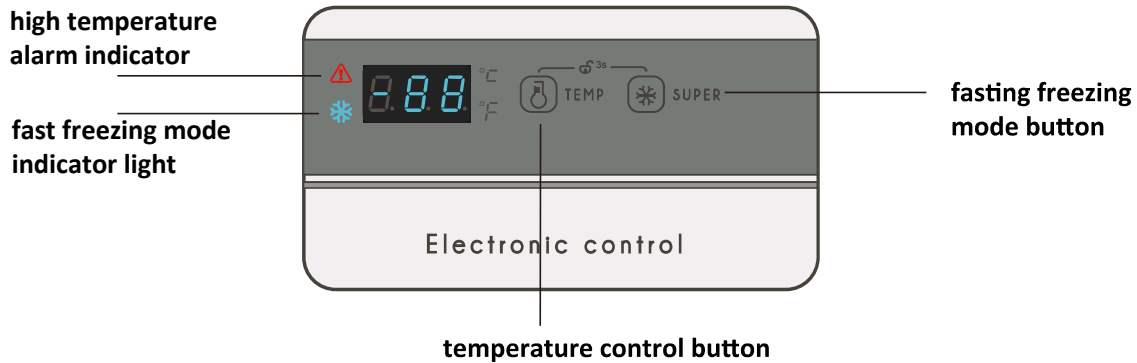
POWER FAILURE

If there is a power failure, do not open the freezer compartment. Frozen food should not be affected if the power failure lasts for less than 30 hours.

Do not refreeze frozen foods that have thawed completely. The food may be dangerous to eat.

ADJUSTING THE TEMPERATURES AND FUNCTIONS

Control panel and display



Setting the temperature

1. After you plug the appliance in the mains socket, all indicator lights and the display will illuminate briefly and then the appliance enters the lock state.
2. To set the temperature, press and hold and for 3 seconds to unlock the buttons. The temperature will flash on the display.
3. After unlock the buttons, you can switch the temperature display between Celsius (°C) and Fahrenheit (°F) by pressing and holding for 3 seconds. The corresponding indicator light °C or °F will illuminate.
4. Press temperature setting key to switch to frozen state, and display window will display freezing setting temperature; if the window is under freezing state, freezing chamber temperature can be adjusted by pressing temperature setting key . The temperature will drop by 1 °C /°F for each press of temperature setting key . When the temperature is set to -24°C/-11°F, with a press of the temperature setting key the freezer can be turned into a refrigerator. The temperature will increase by 1 °C /°F for each press of temperature setting key . Temperature adjustment mode in Centigrade is as follows:

→ -12°C → -13°C → → -23°C → -24°C → 1°C → 2°C → → 9°C → 10°C → → -12°C

Temperature adjustment in Fahrenheit is as follows:

→ 10°F → 9°F → → 10°F → 11°F → 34°F → 35°F → → 49°F → 50°F → → 10°F

5. Press and hold and for 3 seconds to lock the buttons.

Fasting freezing mode

This model will help food to freeze quickly and retain its nutrients, vitamins, flavours and appearance.

1. Unlock the buttons, the temperature will flash on the display.
2. Press , and the fasting freezing indicator will illuminate and the temperature will be -24 °C.

To deactivate the fast freezing model:

1. This mode will be automatically deactivated after 24 hours of operation.
2. To manually deactivate this mode, in unlock state press any button and the indicator light will go out.

Note:

1. In the lock state, if there is no operation of any button for about 30 seconds, the display will stop flash.
2. Press any button will turn the display back on. The display will also turn on when an error code is displayed.

High temperature alarm

When the temperature in the freezer is higher than -8 °C for 36 hours, the high temperature alarm indicator light will illuminate.

During the alarm phase, do not place food inside the freezer. When normal conditions are restored this indicator light will go out.

Memory function

This appliance has a memory backup system. After about 20 minutes of operation when plugging the appliance into the mains socket, this memory function will be activated. When the power comes on again after a power failure, the appliance will recall the last setting (except fast freezing setting) and resume operation.

MOVING YOUR APPLIANCE

If the appliance is turned off for any reason, wait for 10 minutes before turning it back on. This will allow the refrigeration system pressures to equalise before restarting.

- Turn off the appliance and unplug it from the mains socket. Remove all food. Also remove all mobile parts (shelves, accessories, etc.) or fix them into the appliance to avoid any shock.
- Relocate and install. If the appliance has been left on its side for any length of time, leave it standing upright for at least 10 minutes before turning on.

Your appliance uses isobutane (R600a) as a refrigerant. Although R600a is an environmentally friendly and natural gas, it is explosive. Therefore you should be careful during shipment and installation to prevent your appliance's cooler elements from being damaged. In the event of a leak caused by damage to the cooler elements, move your appliance from open flame or heat sources and ventilate the room where the appliance is located for a few minutes.

FREEZING AND STORING FOOD IN THE FREEZER

Use the freezer

- To store deep-frozen food.
- To make ice cubes.
- To freeze food.

Note: Ensure that the freezer door has been closed properly.

Purchasing frozen food

- Packaging must not be damaged.
- Use by the 'use by /best before/best by/' date.
- If possible, transport deep-frozen food in an insulated bag and place quickly in the freezer.

Storing frozen food

Store at -18°C or colder. Avoid opening the freezer door unnecessarily.

Freezing fresh food

Freeze fresh and undamaged food only.

To retain the best possible nutritional value, flavour and colour, vegetables should be blanched before freezing.

Aubergines, peppers, zucchini and asparagus do not require blanching.

Note: Keep food to be frozen away from food which is already frozen.

- The following foods are suitable for freezing:
 - Cakes and pastries, fish and seafood, meat, game, poultry, vegetables, fruit, herbs, eggs without shells, dairy products such as cheese and butter, ready meals and leftovers such as soups, stews, cooked meat and fish, potato dishes, soufflés and desserts.
- The following foods are not suitable for freezing:
 - Types of vegetables, which are usually consumed raw, such as lettuce or radishes, eggs in shells, grapes, whole apples, pears and peaches, hard-boiled eggs, yoghurt, soured milk, sour cream, and mayonnaise.

Packing frozen food

To prevent food from losing its flavour or drying out, place food in airtight packaging.

1. Place food in packaging.
2. Remove air.
3. Seal the wrapping.
4. Label packaging with contents and dates of freezing.

Suitable packaging:

Plastic film, tubular film made of polyethylene, aluminium foil, freezer containers.

These products are available from specialist outlets.

Recommended storage times of frozen food in the freezer compartment drawers

These times vary depending on the type of food. The food that you freeze can be preserved from 1 to 12 months (minimum at -18°C).

Food	Storage time
Bacon, casseroles, milk	1 month
Bread, ice cream, sausages, pies, prepared shellfish, oily fish	2 months
Non-oily fish, shellfish, pizza, scones and muffins	3 months
Ham, cakes, biscuits, beef and lamb chops, poultry pieces	4 months
Butter, vegetables (blanched), eggs whole and yolks, cooked crayfish, minced meat (raw), pork (raw)	6 months
Fruit (dry or in syrup), egg whites, beef (raw), whole chicken, lamb (raw), fruit cakes	12 months

Never forget:

- When you freeze fresh foods with a 'use by /best before/best by/' date, you must freeze them before the expiry of this date.
- Check that the food was not already frozen. Indeed, frozen food that has thawed completely must not be refrozen.
- Once defrosted, food should be consumed quickly.

Making ice cubes

Fill the ice cube tray (not supplied) with $\frac{3}{4}$ full of drinking water and place in the freezer.

If the ice cube tray is stuck to the freezer, loosen with a blunt tool only.

To loosen the ice cubes, twist the ice cube tray slightly or hold briefly under flowing water.

DEFROSTING

It is recommended that the freezer is defrosted periodically or when the thickness of the frost is more than 3 mm.

1. Unplug the appliance from the mains supply.
2. Open the door and remove all the frozen food and wrap in thick blankets or layers of paper to keep them cold.
 - An increase in temperature of frozen food packages during defrosting will shorten the storage life.

3. Remove the drain plug located at the bottom inside the freezer and then remove the drain cover at the front of the freezer. Collect all defrost water on a tray. Use the supplied scraper to remove ice.
 - **Important!** Never use sharp metal tools to scrape off frost as you could damage the appliance.
4. After defrosting is finished, clean the inside of the appliance.
5. Plug the appliance back to the mains socket and refit the drain plug and cover in place.
6. Place the food back into the freezer and set the temperature to the desired setting.

TIPS FOR SAVING ENERGY

For the most energy efficient use of your appliance:

- Ensure your freezer has adequate ventilation as recommended in the installation instructions.
- Allow warm food and drinks to cool down before placing in the appliance.
- Keep door openings to a minimum.
- Open the appliance as briefly as possible.
- Ensure that the door is always closed properly.

OPERATING NOISES

Normal noises

- Motors are running.
- Refrigerant is flowing through the tubing.

CLEANING AND MAINTENANCE

- Keep the area around the refrigerator clean to aid cooling and energy efficiency.
- The interior of the refrigerator should be cleaned regularly to avoid odour.
- Check the door gasket regularly to make sure there are no debris.
- Please turn off the power before cleaning, remove all food, shelves, drawers, etc.
- Clean the door gasket with mild soap and water.
- Use a soft cloth or sponge to clean the inside of the refrigerator, with two tablespoons of baking soda and some warm water. Then rinse with water and wipe clean, and open the door and allow to dry naturally before the power is turned on.
- For areas that are difficult to clean in the refrigerator (such as gaps or corners), it is recommended to wipe them regularly with a soft rag, soft brush, etc. and when necessary, combined with some auxiliary tools (such as thin sticks) to ensure no contaminant accumulation in these areas.
- Do not use soap, detergent, scrub powder, spray cleaner, etc., as these may cause odours in the interior of the refrigerator.
- Clean the bottle frame, shelves and drawers with a mild detergent and dry with a soft cloth.
- Wipe the surface of the refrigerator with a soft cloth dampened with soapy water, detergent, and then wipe dry.
- Do not use hard brushes, clean steel balls, wire brushes, abrasives, such as toothpastes, organic solvents (such as alcohol, acetone, banana oil, etc.), boiling water, acid or alkaline items to clean the refrigerator as this may damage the fridge surface and interior. Boiling water and benzene may deform or damage plastic parts.
- Do not rinse with water so as not to affect the electrical insulation properties.

TROUBLESHOOTING

If there is a problem with your appliance, please check the following points before contacting customer service.

Problem	Possible causes	Possible solution
Appliance does not operate.	No electricity at power outlet.	Check that the plug is correctly connected and power switched on.
Appliance is noisy.	Cabinet not stable or level.	See "Installation" section.
Appliance not cool	Temperature setting not correct. Frequent door openings.	See "Adjusting the temperatures and functions" section.
	Large amount of food recently added.	Minimise door openings to allow the temperature to stabilise.
Condensation on the outer surface and door seals of the freezer.	Ambient humidity is high.	It is normal. Please wipe dry.

Error codes

When the following error code is displayed, please contact the local authorised service centre.

Error code	Description
E2	Temperature sensor failure
E6	Signal transmission failure

BULB REPLACEMENT

The chest freezer lights are energy efficient, long life LEDs. Therefore, they should not need replacing throughout the life of product.

In the unlikely event it fails then it will need to be replaced by a qualified engineer.

DISPOSAL



As a responsible retailer we care about the environment.

As such we urge you to follow the correct disposal procedure for the appliance and packaging materials. This will help conserve natural resources and ensure that it is recycled in a manner that protects health and the environment.

You must dispose of this appliance and its packaging according to local laws and regulations. Because this appliance contains electronic components, the appliance and its accessories must be disposed of separately from household waste when the appliance reaches its end of life.

Contact your local authority to learn about disposal and recycling.

The appliance should be taken to your local collection point for recycling. Some collection points accept appliance free of charge.

LEC Customer Care

Please keep this handbook in a safe place.

Please fill in the model number and serial number in the spaces provided below as they will assist us should you need to call.

0844 815 3737

When you dial this number you will hear a recorded message and be given a number of options. This indicates that your call has been accepted and is being held in a queue. Calls are answered in strict rotation as our Customer Care Representatives become available.

Enter appliance numbers here for future reference:

Model No	<input type="text"/>	<input type="text"/>	<input type="text"/>	<input type="text"/>	<input type="text"/>	<input type="text"/>	<input type="text"/>	<input type="text"/>	<input type="text"/>
Serial No	<input type="text"/>	<input type="text"/>	<input type="text"/>	<input type="text"/>	<input type="text"/>	<input type="text"/>	<input type="text"/>	<input type="text"/>	<input type="text"/>

These numbers can be found on your appliances.
Outside the UK and Northern Ireland, refer to your local supplier.

Lec

Stoney Lane, Prescot, Merseyside, L35 2XW